

DW15

Streaming Media Player



Description

This product is a streaming media player. It can be controlled via an APP to stream various audio sources to different rooms or the same audio source to all rooms synchronously. It supports TF card and BT playback, as well as line input. Besides, it is equipped with an IR remote controller for control.

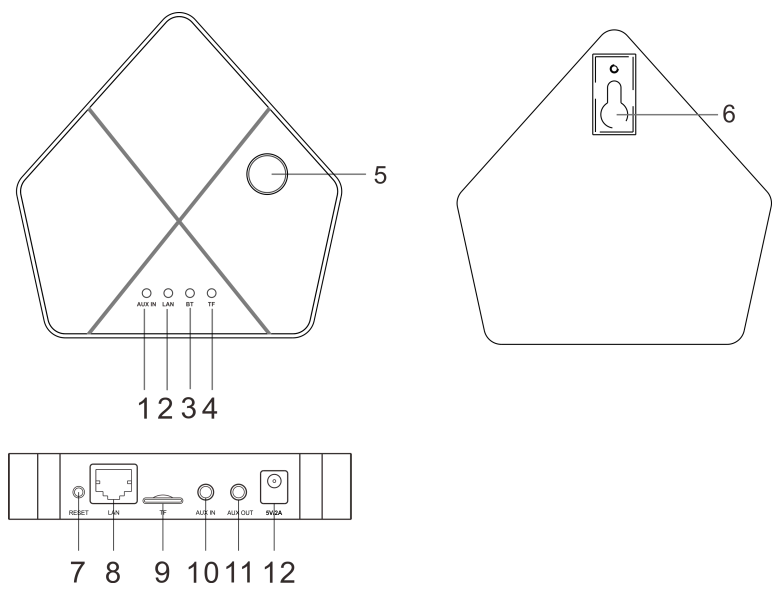
Features

- The APP has multiple built-in WI-FI streaming media players, and can be controlled by all kinds of mobile devices.
- Multiple rooms can be combined into a group, and one group can support 10 rooms.
- The APP supports to push multiple audio sources to different rooms.
- The APP supports to push the same audio source to all rooms in the group in synchronization.
- The APP supports paging to multiple rooms.
- The APP supports DLNA protocol for wireless audio streaming.
- Built-in TF and BT playback and line input.
- Equipped with an IR remote controller for manual audio source switching, volume control and EQ control.

Specifications

| Model | | DW15 |
|--------|--------------------|--------------------------------|
| Player | Power Input | DC5V |
| | THD | ≤0.1% |
| | SNR | >76dB |
| | Frequency Response | 20Hz-20KHz |
| | AUX IN Sensitivity | 0dB |
| | Audio Format | MP3, WAV, ACC, FLAC, APE, etc. |
| | Bluetooth Input | BT4.0 |
| | Storage Interface | TF card |
| | Package Dimensions | 245×200×100mm |
| | Product Dimensions | 120×120×23mm |
| | Gross Weight | 0.6kg |
| | Net Weight | 0.25kg |

Front Panel



1. AUX IN Indicator

When playing a line audio source, the indicator is blue.

2. LAN Indicator

3. BT Indicator

When playing a BT audio source, the indicator is blue.

4. TF Card Indicator

When playing a TF card audio source, the indicator is blue.

5. IR Remote Control Window

6. Mounting Hole

7. Restart

Long press for 10s to restore factory settings, while short press for 2s to restart the device.

8. LAN Port

9. TF Card Interface

10. AUX IN

11. AUX OUT

12. DC5V/2A Power Interface

Product Dimensions

