

D7321 D7322

5G WiFi Encrypted Wireless

Speaking & Voting Chairman/Delegate Unit



D7321 5G WiFi Encrypted Wireless
Speaking & Voting Chairman Unit



D7322 5G WiFi Encrypted Wireless
Speaking & Voting Delegate Unit

Description

The conference unit integrates a variety of functions such as speaking, voting, sign-in, and self-testing. It adopts cardioid directional condenser microphone, built-in internal magnetic speaker, earphone jack, and has microphone turn-on indicator ring and touch button light switch indication, with the function of voice switch in voice control mode. It features built-in digital high-speed processor and high-definition audio circuit. The unit with LCD condenser touch screen is operated by touch, and the display shows the identity and state of the chairman unit/VIP unit/normal unit. It has several modes of operation, with echo cancellation, howling suppression, background noise silence, and more.

Features

- A conference-speaking unit that combines the speaking and voting functions into one.
- It adopts WPA/WPA2 wireless security with 128-bit AES encryption to prevent eavesdropping and unauthorized access, providing greater confidentiality of the Conference system.
- The elector core type pointing capacitive pickup with a two-color indicator (red/green). It is red when speaking, and it is green when applying for speaking.
- A rotary plug microphone rod is adopted, mini-microphone.
- The standard microphone rod is aluminum alloy one-piece square microphone rod, 186mm in length. Other options: gooseneck microphone rod, oval microphone rod, square microphone rod with analog backup, square microphone rod with dual mics and square microphone rod with dual mics and analog backup. See "Chapter 5 Accessories" below for details.
- The microphone rod can be dismantled during the adjournment for maintenance and storage.
- Features an internal magnetic high-fidelity speaker that automatically mutes the sound when the microphone is turned on, making it difficult to howl.
- The 3.5mm stereo headphone jack connects to the headset and the headset volume is adjustable.

- Super anti-interference ability toward mobile phones.
- Equipped with microphone switch key, and 5 voting keys, and chairman unit has chairman priority keys.
- Key check-in function.
- With 5-band EQ adjustment (password adjustable for PC software input), different sound effects can be adjusted to match the speaker's voice characteristics until they are perfect.
- High-fidelity sound, the wireless unit supports up to 6 microphones simultaneously.
- Each Conference unit has a unique ID number.
- 2.42" OLED display with real-time display when the unit is operating:
 - ✓ The ID number of the conference unit, the number of applicants, the voting results, the number of people checking in, and various operational information;
 - ✓ Chinese Simplified and English bilingual display unit information;
 - ✓ With status display features such as WIFI signal strength, battery charge, cell information, and speaking timing;
 - ✓ The PC side can also remotely monitor status information.
- Together with the camera, the camera can be automatically tracked when set up using the digital Conference system host or PC control software.
- In conjunction with the control panel, the unit has a self-detection function. The items tested include: Keys, microphone, LED indicators, OLED screen, and internal speaker.
- Lithium battery powered, configured with the D7331 charging case charged via the USB connector.
- With a high-capacity battery, you can get long-lasting battery life.
- When the microphone is turned on, the local speaker automatically switches off to prevent sound playback.
- The microphone is switched on with a tone that sets the switch status.
- The chairman unit has a priority function (all delegate units can be muted or turned off), and a lectern mode (the chairman unit is always on) with the host settings.
- The Chair module has the function of approving a delegate's request to speak.
- The chairman unit can be opened freely without being restricted by the number of speakers.
- The Chairman Unit has the priority function of having full control of the order of the Conferences.
- The Chairman Unit is connected freely.
- It supports roaming capabilities, allows roaming between multiple AP, increases WIFI coverage, enables conference units to be used in large conference rooms or multiple conference rooms.

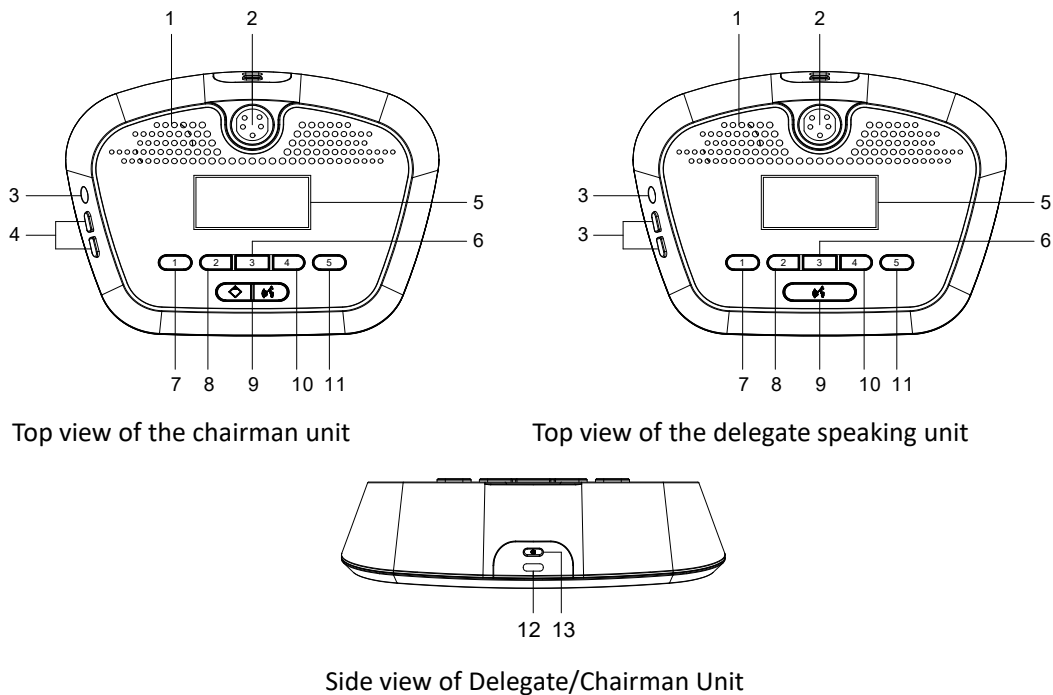
Specifications

Model		D7321/D7322
Structure Type		Embedded
Effective Frequency	Unit A To Unit B.	130Hz-14kHz
Range of Gain	Host Line to Unit	130Hz-14kHz
Limitation ($\pm 3\text{db}$)	Unit to Host Line	50Hz-14kHz
Speaker Power		1.2W
Static Power Consumption		<3.2W
Maximum Power Consumption:		4.5W
Signal-to-Noise Ratio		>81dB
Crosstalk Attenuation		>80dB
Harmonic Distortion		<1%
Headphone Output		9dBu, 8-32 Ω , 3.5mm
Operating Power Supply(Battery Pack)		DC5V is charged by Type-C port (more efficient charging in
MIC	Microphone Type	Elector cardiac capacitive type

	Sensitivity	-30dBV/pa
	Input Impedance	2kΩ
	Equivalent Noise	20dB(SPL)
	MAX. SPL.	125dB(THD<3%)
Package Dimensions	485×280×120mm (with two in a box)	
Machine Dimensions (W × D × H)	175×133×46mm	
Gross Weight	2.0kg	
Net Weight	0.6kg	

Front / Rear Panel

Buttons and Indication Functions



1. Built-in Speaker Unit

- The volume used to output the sound of other units speaking and auxiliary input audio can be adjusted by this unit or by the conference head unit and the remote control software.
- The speaker is automatically muted when the microphone is turned on and the headset is plugged in.

2. Microphone connector

- Dismantle 5-pin screw microphone connector.

3. Earphone connector

- Connect with a 3.5mm plug.

4. Volume Adjustment Button

- Allows you to adjust the headphone and speaker volume levels.

5. 2.42 " OLED highlight display

- Displays the unit's ID number, operating status, voting results, and operating information in real time.

6. Button "1"

- The rating is performed in conjunction with the PC software, referring to the PC software user manual for details.

7. Button "2"

- Select the display language, voting function keys;
- Rating operations in conjunction with PC software.

8. Button “3”

- Microphone status view, voting operation, selection of display language operation function keys;
- Rating operations in conjunction with PC software.

9. Button “4”

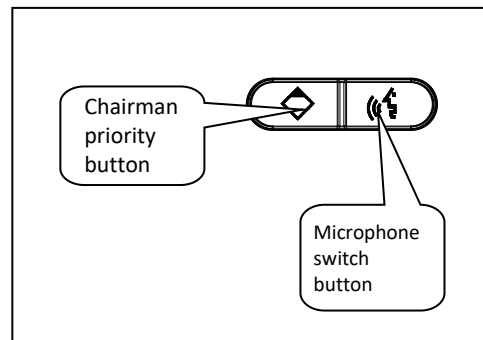
- Select the display language, voting operation, return to operation function buttons;
- Rating operations in conjunction with PC software.

10. Button “5”

- Voting end/return function button;
- Rating operations in conjunction with PC software.

11 Microphone Switch Indicator

- On/off button of unit microphone/button for speaking request and indicator light. The indicator lights up when the key is pressed to switch on the microphone; flashes when the button is pressed to make a speaking request, when the unit is renumbered and when the camera tracking is positioned.
- Chairman unit microphone switch button and chairman priority function keys and indicator lights.



- The indicator lights up when switching on the microphone, flashes when the unit is renumbered and when the camera tracking is positioned.
- Press the Chairman priority button to mute or turn off the working unit.

12. Type-C charging connector

13. Switch button

- Press and hold the button to turn the system off;