

DSP2612B

120W Party Speaker with 2 Wireless Microphones and Flash Screen



Description

The 120W Portable Bluetooth Party Speaker is a powerful, durable, and versatile speaker with Bluetooth, USB/TF card input, and FM Radio capabilities. With BASS/Treble/Mic Volume/Echo control, 2 wireless microphones, and IPX4 waterproof and dustproof rating, this speaker is the perfect addition to your next party or outdoor activity.

Features

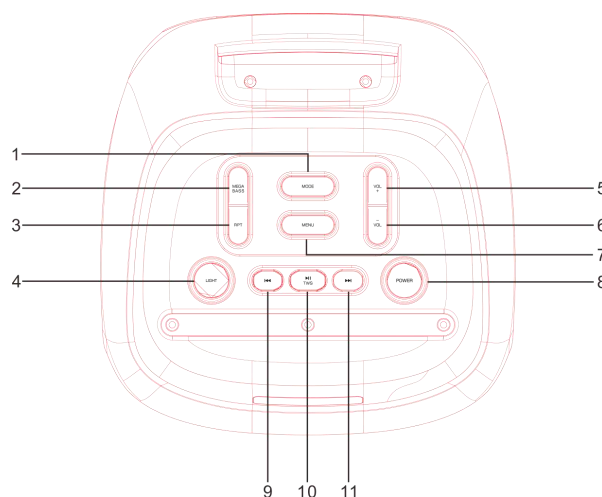
- 6.5"+6.5" woofer and 1" tweeter
- Plastic case+ inside wooden cabinet
- Battery:18.5V/2600mA
- Power:120W RMS
- Aux in(3.5mm)USB/TF Card input;

- FM Radio, Bluetooth
- MIC input; Guitar Input
- BASS/Treble/Mic Volume/Echo control
- EQ selection, Microphone priority, Recording
- Bluetooth version: 5.0,
- TWS function
- Waterproof (IPX4)
- Dustproof function
- With 2 wireless microphone
- Product Size:30.5x33.5x68.5cm

Specifications

Model	DSP2612B
Speaker Unit	6.5"+6.5" Woofer 1" Tweeter
Rated Power	120W
Battery	18.5V/2600mA
Waterproof Level	IPX4
Audio Sources	Aux input (3.5mm), USB/TF card input, FM input, Bluetooth input, MIC input, Guitar input
Other Function	BASS/Treble/Mic Volume/Echo control, EQ selection, Microphone priority, Recording,TWS function
Product Size	305x335x685mm
Package Size	370*365*825mm
Net Weight	13.1KGS
Gross Weight	14.60KGS

Product Information



1. MODE

Press shortly to skip to Wireless BT/LINE IN/USB/TF mode

Long press to turn off the voice prompt

2. MEGA BASS

3. Repeat function

Press to repeat one song or repeat all songs

In Wireless BT mode, this button has no function

4. Light effect switch and on/off

5. Volume+

6. Volume-

7. MENU

Short press to press bass,treble,microphone volume,ECHO,guitar volume and control;Long press this button to restore factory setting

8. Power on/off

9. Previous song

Short press to get previous song,long press to fast backward

10. Pause & Play

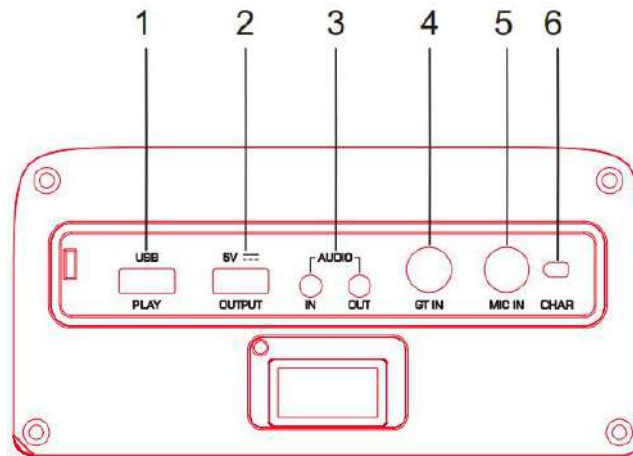
In USB/TF card/BT mode, press this button to play/pause a song

In FM mode, press once to scan or stop the auto scanning

In LINE IN/AUX-In mode this button has no function

11. Next song

Short press to get the next song, long press to fast forward



1. USB Play back

2. DC5V output to charge the phone

3. Aux in

4. Guitar input

5. MIC input

6. Charging indicator

Remote Control

1. Mute

Available to be mute at any mode.

2. Previous Song

Short press to get previous song,long press to fast backward.

3. Mode

Press shortly to skip to Wireless BT/LINE IN/USB/TF mode.

4. Record function

Under USB mode,press the button to record

5. Echo-

Press to decrease the volume in any mode.

6. BASS+/-

Press to increase or decrease the bass.

7. EQ function

Press to switch between the different EQ settings.

8. Microphone Volume+/-

Press to increase or decrease the microphone volume.

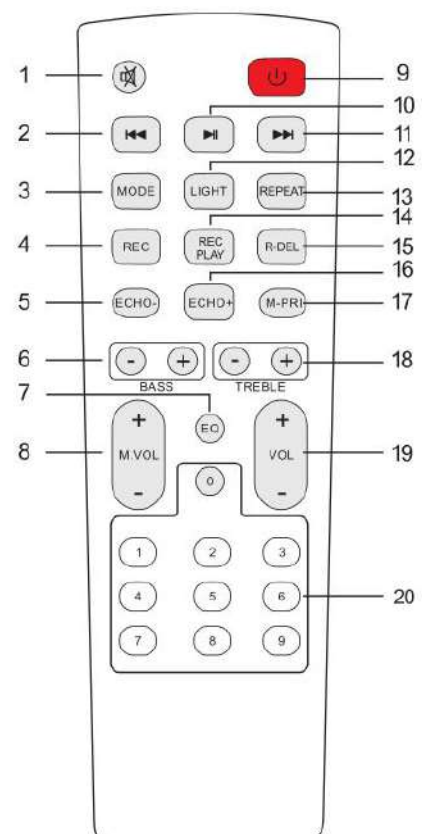
9. Stand by

10. Pause & Play

11. Next song

Under USB/TF card mode - next song.

12. Light mode



Long press to change Lighting effects, Short press to change the color of Lights
To switch on/off the lights long press and hold until the lights turns on/off.

13. Repeat function

Press to repeat one song or repeat all songs.

In Wireless BT mode, this button has no function.

14. Record play

In USB mode,press to play the record.

15. Record delete

In USB mode,press to delete the record.

16. Echo+

Press to increase the Echo in any mode.

17. Microphone priority

When the Microphone is in use, press once to take priority over the music programme, press again to turn off this function.

18. Treble+/-

Press to increase or decrease the Echo in any mode.

19. Main Volume

20. Number buttons

Under USB/TF mode to choose songs.