

## LRAS1515A

### 150W Active Long Range Acoustic Hailing System



#### Description

The Acoustic Hailing System has the characteristic of portable, high sound pressure level, high direction, high definition, etc., which is suitable for military systems (anti-terrorism explosion-proof, border defense, coastal defense, marine surveillance, sentry posts), public security system (group emergency control, public security and stability maintenance, etc.), public safety system (joint defense for public security, fire protection, safety supervision, bird repelling at airport), emergency response system (emergency rescue, meteorological early warning, geological early warning), public address system (square, wharf, factory, large-scale project), etc.; The system devices include LRAS1515P Acoustic Hailing Player, LRAS1515S Active Directional Long Range Acoustic Hailing Device and LRAS1515M Handheld Microphone.

#### Features

- All-weather design, the shell made of high-strength industrial technology has super weather resistance;
- Has good directing control ability, and there will be no directivity changes with the increase of

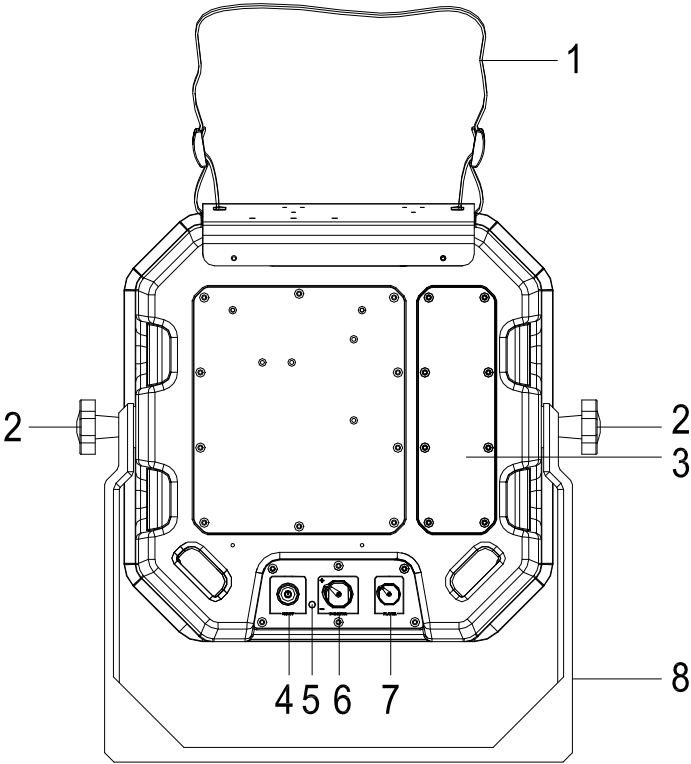
frequency;

- The effective distance at which acoustic hailing can up to 250m;
- The sound transmission distance can reach 700 meters and 80dB with clear sound;
- Handheld and portable, it supports vehicle DC26V-28V power supply, built-in DC24V lithium battery, and the battery duration up to 1 hour; please keep the charging voltage at DC27V-30V;
- Acoustic hailing player with digital display, support USB interface, Bluetooth, MP3 playback
- Waterproof level IP65, designed with waterproof structure.

## Specifications

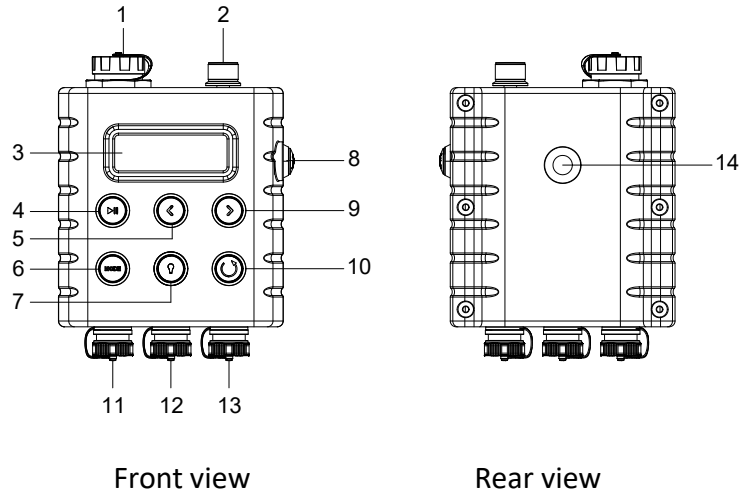
Model	LRAS1515A	
Active Long Range Directional Acoustic Hailing Device	Rated Power	150W
	DC Input Voltage	DC27V-30V
	Signal Input Voltage	2000±200mV
	Rated Impedance	4Ω
	Frequency Response	340Hz-6kHz
	Max. SPL (1 m)	136±2dB
	Sound Beam Angle	±15° (@2.5kHz)
	Waterproof Level	IP65
	Package Dimension (Flight Case)	490×420×340mm
	Dimension	365×373×217mm
	Gross Weight	21kg
	One-handed Mic Net Weight	0.3kg
	Acoustic Hailing Device Net Weight	7.8kg
	Acoustic Hailing Player	Input Sensitivity (MIC)
Input Sensitivity (AUX)		300±50mV
Input Sensitivity (USB)		-10dB
Input Sensitivity (Bluetooth)		-10dB
Audio Output		2000±200mV
Frequency Response (AUX)		400Hz-8kHz
Input Sensitivity (MIC)		400Hz-8kHz (±3dB)
Distortion		≤1%
Audio Format		MP3, WAV
Power Supply		DC12V/1A
Player Dimension		160×122×55mm
Player Net Weight	0.43kg	

Active Long Range Directional Acoustic Hailing Device



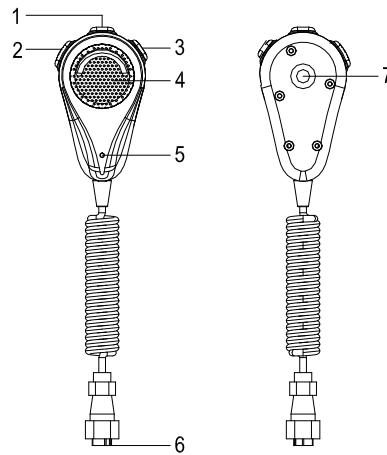
- 1. Adjustable handle rope
- 2. Hexagonal plum flower head plastic machine screw  
Used to fix the vehicle mounting bracket.
- 3. Sealed battery compartment
- 4. Waterproof self-resetting power soft-switching  
Press the power switch to turn on the power, press and hold the power switch again to turn off the power.
- 5. Charging Indicator Light  
Connect to DC power supply to charge the battery, the indicator light is off when fully charged, it takes about 4 hours to charge 90%, and about 5.5 hours to fully charge.
- 6. DC24V/15A power supply  
Connect the power adapter to power the case, and also charge the battery.  
**Note: The normal working voltage of the case is DC24V, because the case has a built-in DC24V lithium battery and the charging voltage is DC25.2V, if you want to fully charge the battery, it is necessary to access DC27V – 30V DC power supply!**
- 7. Acoustic Hailing Device (Connect Acoustic Hailing Device Chassis Wiring Port, Point 13 of Acoustic Hailing Player)
- 8. Vehicle-mounted fixed bracket

## Acoustic Hailing Player



1. USB Interface  
Support USB2.0, USB flash drive with a capacity of 32G or less, good compatibility.
2. Volume Knob  
Rotate the volume clockwise to increase, and rotate counterclockwise to decrease the volume.
3. Display screen  
Display mode, playback status and working status indication.  
**Note: when AMP PORTECT ! is displayed, it indicates DC or short circuit protection.**
4. Play/Pause Button  
It refers to pause playback in the USB playback mode and Bluetooth mode.
5. Previous Song  
In USB disk and Bluetooth playback mode, short press to switch to the previous song, and long press to decrease the volume.
6. Mode Switch Button  
Press this button to switch between USB disk playback mode, line input mode (AUX) and Bluetooth playback mode (BLUE) in turn.
7. Button/screen backlight switch  
When used at night, press the button to turn on the button/ screen backlight, the button light is displayed in green constantly, press it again to turn off the backlight.
8. Play dispersion sound button  
One button triggers the dispersion signal, and pressing it again will stop triggering. This source has the highest priority.
9. Next Song  
In USB disk and Bluetooth playback mode, short press to switch to the next song, and long press to increase the volume.
10. Playback Mode Switch Button  
In the USB disk and Bluetooth playback modes, the playback modes are: all loop (ALL), random play (RAN), and single loop (ONE).
11. Handheld Microphone Interface
12. Line Input Port  
The label 1 is the ground terminal, the label 2 is the R input, and the label 3 is the L input.
13. Acoustic Hailing Device Chassis Wiring Port  
Using 7-pin shielded cable to connect acoustic hailing device.
14. Mounting Bracket  
Installed or suspended in the Acoustic Hailing Device Chassis.

## Handheld Microphone



1. REC Record Button

Before recording, insert a USB flash drive, and then press and hold the PTT + REC button for about 3 seconds to start recording. Press and hold the PTT+REC button for 3 seconds and release them to exit recording. (For optimal recording quality, turn the volume potentiometer to the minimum when recording, and adjust the volume to the desired level after recording.)

2. PTT Black Microphone Button

Press and hold the PTT button to activate the speaking function, and release the PTT button to exit the speaking function.

3. PLAY Button for Playing Recording

Press the PLAY button once to enter the recording playback function, starting with the latest recording; press it again to exit the recording playback.

4. Microphone Pickup Window

5. Recording Indicator Light

The indicator LED will blink once when recording the voice or audio reappearance.

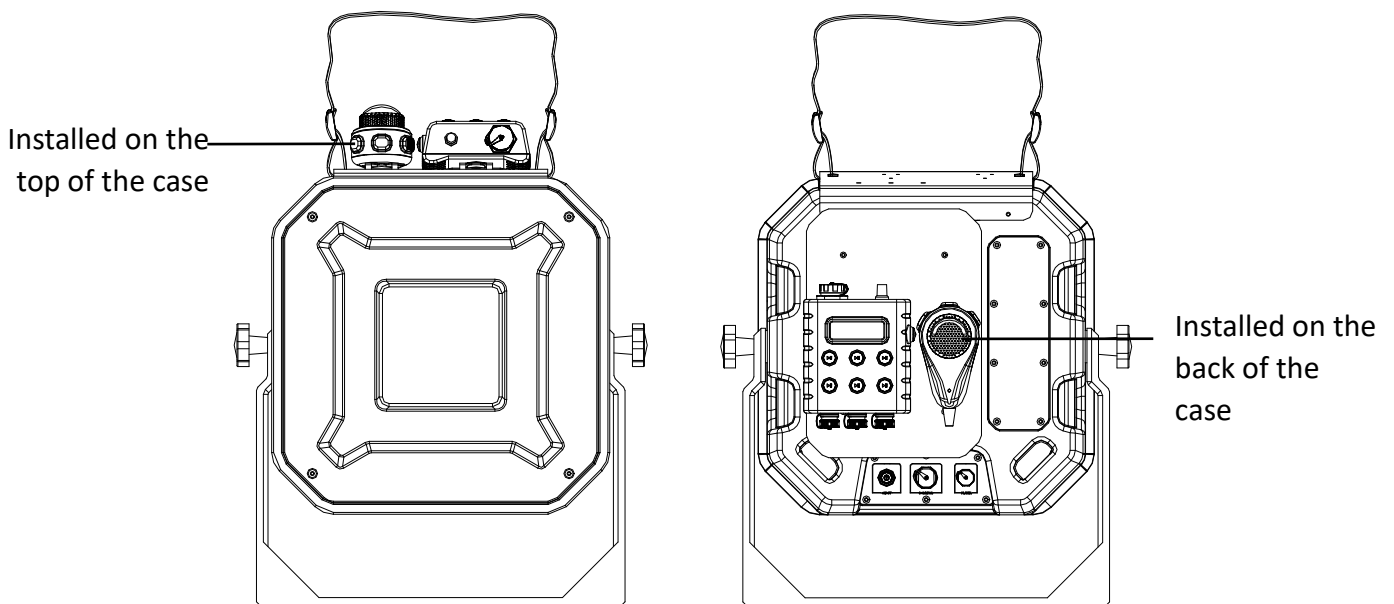
6. Microphone Plug (Connect Handheld Microphone Interface, Point 11 of Acoustic Hailing Player)

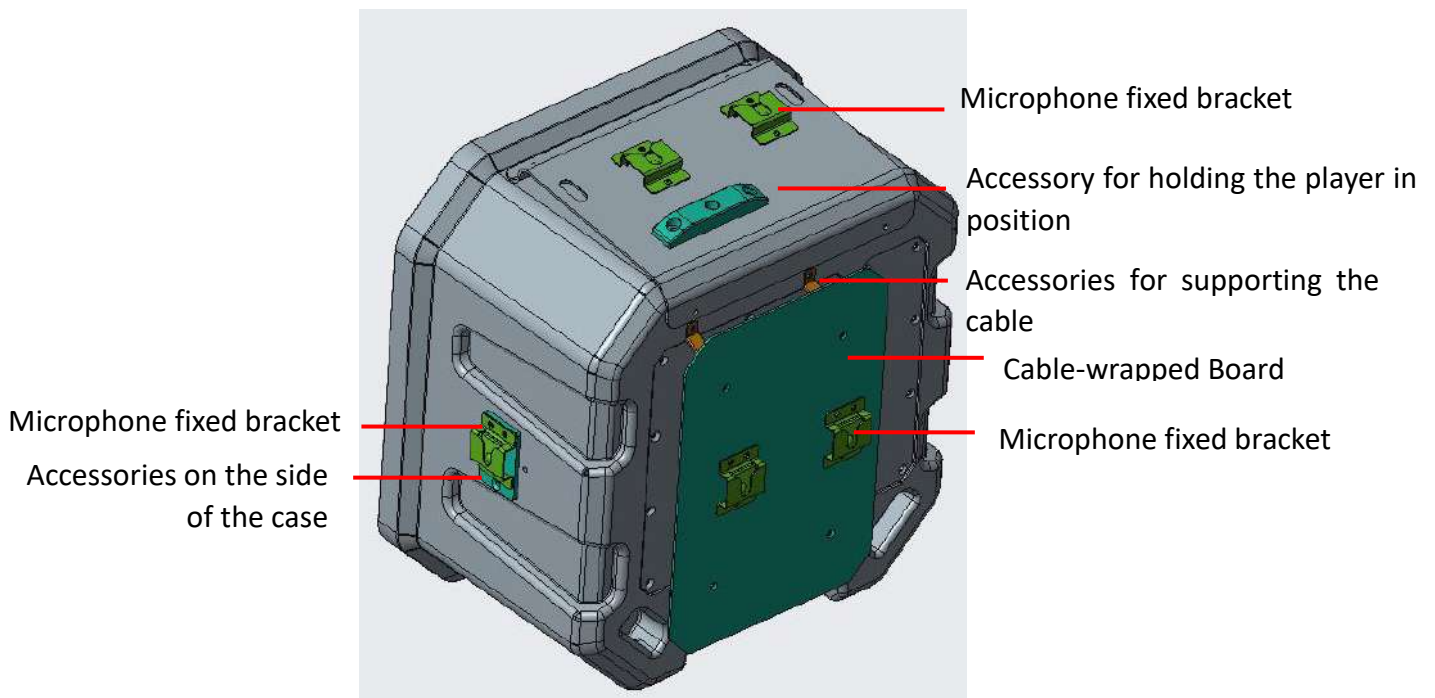
7. Mounting Bracket

Installed or suspended in the Acoustic Hailing Device Chassis.

## Installation Description

When in use, the handheld microphone and the acoustic hailing player can be hung on the top, back or both sides of the case;





The angle range is 0-60°, and each gear is increased by 15°.

